

# The ASHRAE Fort Wayne Newsletter

## FALL 2025



[www.fortwayneashrae.org](http://www.fortwayneashrae.org)

### *KEEPING IT COOL*

#### *ASHRAE GOLF OUTING:*

##### *A MARKED SUCCESS!*

The Fort Wayne ASHRAE Chapter would like to extend a thank you out to everyone that was able to attend the annual golf outing! We had another huge fundraising success this year! A total of 36 teams played 18 holes on a beautiful sunny September day. You couldn't have asked for better weather.

If you weren't able to make it, and want to attend next year, be sure to keep an eye out next summer. Information about the event is typically distributed in the months prior to the event. We would be happy to see you there!

#### *ASHRAE GOLF OUTING:*

##### *CO-SPONSOR SHOUT OUT!*

We are also sending out a special thanks to the Co-sponsors for this year's Fort Wayne ASHRAE golf outing. Without their help, we wouldn't be able to put together such an important event!

Diring Sheet Metal

Porter Pipe & Supply

Faco

Mechanical Solutions Indiana

Indiana Thermal Solutions

Shambaugh & Sons.

Havel

Primary Engineering

Keller Rivest

VCS

#### **PRESIDENT**

Nick Moynahan

Mechanical Solutions Indiana

#### **PRESIDENT-ELECT**

Jordan Backer

Design Collaborative

#### **SECRETARY**

Brandon Horton

Victaulic

#### **TREASURER**

Matthew Klok

Havel An EMCOR Company

#### **BOARD OF GOVERNORS**

Paul Fernandez

Carl Huber

Connor Bartlett

#### **CHAPTER CHAIRS**

Connor Bartlett RP

Nick Moynahan CTTC

Bocephus Thomas GAC

Brandon Horton SA

David Aurich Refrigeration

Jesse Sade Newsletter

Paul Fernandez MP/YEA

Carl Huber Historian

Isaac Landstoffer Webmaster

Please contact Jesse Sade (Newsletter) at [jsade@shambaugh.com](mailto:jsade@shambaugh.com) with any concerns, questions, and/or applicable Fort Wayne ASHRAE news. The ASHRAE Fort Wayne Newsletter does not reflect the opinions or views of the National Society. \*While avoided, when possible, Fort Wayne ASHRAE reserves the right to substitute speakers without notice due to last minute schedule conflicts.

# The ASHRAE Fort Wayne Newsletter

## FALL 2025



[www.fortwayneashrae.org](http://www.fortwayneashrae.org)

### *October Meeting:*

#### *Successful High Performance IT Systems*

---

October's meeting was presented by Tiff Gannon who is currently the Director of North America Thermal Management at Vertiv. Mr. Gannon graduated from The Ohio State University with a degree in Mechanical Engineering and has gone on to be a very active participant in ASHRAE on both the national and local levels.

During his presentation, Mr. Gannon went over the importance of designing thermal systems from the ground up with IT Systems as a focal point of the design. He went over advances in the IT space including the rollout of specialized local AI data centers built not as their own standalone buildings, but rather as an on-site Neural Network designed specifically for the building owners.

### *October Meeting: Cont.*

---

There was an emphasis on bringing in IT System experts early on in the life of a project to consult on the design of thermal systems in regards to these specialized rooms.

### *November Meeting:*

#### *Variable Air Volume Sizing and Selections Help Improve Efficiency*

---

November's Meeting was presented by Doreen Ainah, PE. She is a Terminal unit and Fan Coil Product Specialist at Price Industries and earned her bachelor's degree in mechanical engineering from the University of Manitoba as well as a master's degree in engineering design in Product Design from McMaster University.

Ainah's presentation covered a wide range of information regarding VAV and terminal unit sizing and selection.

#### **PRESIDENT**

Nick Moynahan

Mechanical Solutions Indiana

#### **PRESIDENT-ELECT**

Jordan Backer

Design Collaborative

#### **SECRETARY**

Brandon Horton

Victaulic

#### **TREASURER**

Matthew Klok

Havel An EMCOR Company

#### **BOARD OF GOVERNORS**

Paul Fernandez

Carl Huber

Connor Bartlett

#### **CHAPTER CHAIRS**

Connor Bartlett RP

Nick Moynahan CTTC

Bocephus Thomas GAC

Brandon Horton SA

David Aurich Refrigeration

Jesse Sade Newsletter

Paul Fernandez MP/YEA

Carl Huber Historian

Isaac Landstoffer Webmaster

Please contact Jesse Sade (Newsletter) at [jsade@shambaugh.com](mailto:jsade@shambaugh.com) with any concerns, questions, and/or applicable Fort Wayne ASHRAE news. The ASHRAE Fort Wayne Newsletter does not reflect the opinions or views of the National Society. \*While avoided, when possible, Fort Wayne ASHRAE reserves the right to substitute speakers without notice due to last minute schedule conflicts.

# The ASHRAE Fort Wayne Newsletter

## FALL 2025



[www.fortwayneashrae.org](http://www.fortwayneashrae.org)

### *November Meeting: Cont.*

---

A few key points that she hit were as follows. A well-rounded discussion of the basics of selection and the mathematics behind the process showed the young engineers how to properly select VAV boxes. Showing the relevance of orientation and positioning when comes to the design of VAV and other terminal boxes. As well as a look into new emergent technologies that are coming out in the industry right now.

We had an incredible turnout for this meeting, and we want to hear from you! Reach out and tell us what drew you to this meeting and let us know what kind of topics you would like to see in the future. We at ASHRAE Fort Wayne are always looking for meeting topics that interest our community.

### *History Look for the Month!*

---

#### *Topic: Steam Boilers Through History*

---

With Winter already here, lets take a quick dive into the humble beginnings of the steam boiler.

Throughout the 1700s and 1800s kettle style boilers were some of the first rudimentary boilers that started coming into the scene. While these were some of the early days of steam generation, it wasn't until 1867 that the steam boiler industry truly took off.

The first patented steam boiler was developed by George Babcock and Steven Wilcox. In 1891 they came together and created the Babcock & Wilcox Company in New York City. Their original design used inclined tubes through a firebrick-walled housing to generate steam.

This team later went on to merge with the Sterling Boiler Company from Barberton, Ohio in 1901. Their improved design

#### **PRESIDENT**

Nick Moynahan

Mechanical Solutions Indiana

#### **PRESIDENT-ELECT**

Jordan Backer

Design Collaborative

#### **SECRETARY**

Brandon Horton

Victaulic

#### **TREASURER**

Matthew Klok

Havel An EMCOR Company

#### **BOARD OF GOVERNORS**

Paul Fernandez

Carl Huber

Connor Bartlett

#### **CHAPTER CHAIRS**

Connor Bartlett RP

Nick Moynahan CTTC

Bocephus Thomas GAC

Brandon Horton SA

David Aurich Refrigeration

Jesse Sade Newsletter

Paul Fernandez MP/YEA

Carl Huber Historian

Isaac Landstoffer Webmaster

Please contact Jesse Sade (Newsletter) at [jsade@shambaugh.com](mailto:jsade@shambaugh.com) with any concerns, questions, and/or applicable Fort Wayne ASHRAE news. The ASHRAE Fort Wayne Newsletter does not reflect the opinions or views of the National Society. \*While avoided, when possible, Fort Wayne ASHRAE reserves the right to substitute speakers without notice due to last minute schedule conflicts.

# The ASHRAE Fort Wayne Newsletter

## FALL 2025

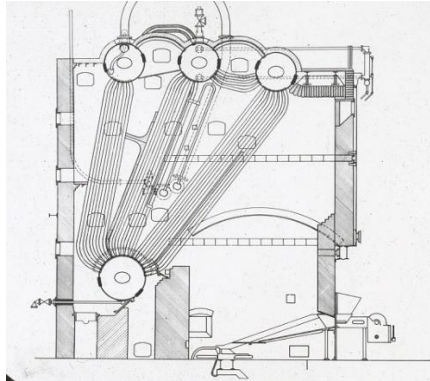


[www.fortwayneashrae.org](http://www.fortwayneashrae.org)

was named the H-Type Stirling and was one of the most successful boilers of the time.

Source: NIA: *The History of the Steam-Generating Boiler and Industry*

<https://insulation.org/io/articles/the-history-of-the-steam-generating-boiler-and-industry/v>



Picture: Sourced from Smithsonian:  
<https://www.americanhistory.si.edu/fr/collections/archival-item/sova-nmah-ac-1013-ref5319>

### *Thank You:*

ASHRAE Fort Wayne would like to preemptively thank all of our members that plan to attend our meetings and for supporting our chapter.

If there are any speakers or topics you would like to see at our meetings, or topics you would like to see discussed, reach out and let us know!

### *Member Lists:*

As we all know, technology is not infallible. If you, or someone you know, is not receiving Fort Wayne ASHRAE information and updates, and would like to be, please contact our Chapter Webmaster, Isaac Landstoffer at [ilandstoffer@primary-eng.com](mailto:ilandstoffer@primary-eng.com) so the list can be updated.

Please contact Jesse Sade (Newsletter) at [jsade@shambaugh.com](mailto:jsade@shambaugh.com) with any concerns, questions, and/or applicable Fort Wayne ASHRAE news. The ASHRAE Fort Wayne Newsletter does not reflect the opinions or views of the National Society. \*While avoided, when possible, Fort Wayne ASHRAE reserves the right to substitute speakers without notice due to last minute schedule conflicts.

### **PRESIDENT**

Nick Moynahan

Mechanical Solutions Indiana

### **PRESIDENT-ELECT**

Jordan Backer

Design Collaborative

### **SECRETARY**

Brandon Horton

Victaulic

### **TREASURER**

Matthew Klok

Havel An EMCOR Company

### **BOARD OF GOVERNORS**

Paul Fernandez

Carl Huber

Connor Bartlett

### **CHAPTER CHAIRS**

Connor Bartlett RP

Nick Moynahan CTTC

Bocephus Thomas GAC

Brandon Horton SA

David Aurich Refrigeration

Jesse Sade Newsletter

Paul Fernandez MP/YEA

Carl Huber Historian

Isaac Landstoffer Webmaster

# The ASHRAE Fort Wayne Newsletter

## FALL 2025



[www.fortwayneashrae.org](http://www.fortwayneashrae.org)

### *Membership:*

Our chapter is actively seeking new members in the community. If you or anyone you know may have reason to join the ASHRAE Chapter here locally, please reach out to us.

---

### *Research:*

Please help with our chapter effort this year in achieving our research donation goal set by Society. Research is what sets the ASHRAE Society apart from other industry related groups. Without this pillar within Society, many of the design standards and codes we use on a daily basis would be stripped from our toolset. If you would like to donate to ASHRAE Research, please contact the Research Chair, Connor Bartlett. He can be contacted at [cbartlett@envelopgroup.com](mailto:cbartlett@envelopgroup.com)

---

### *New Members:*

We would like to extend a hand to welcome any new members we have received recently. The Fort Wayne ASHRAE chapter is a great organization that values innovative ideas and continued support. If you are interested in the organization itself, reach out to your leadership to discuss opportunities in the organization.

Please contact Jesse Sade (Newsletter) at [jsade@shambaugh.com](mailto:jsade@shambaugh.com) with any concerns, questions, and/or applicable Fort Wayne ASHRAE news. The ASHRAE Fort Wayne Newsletter does not reflect the opinions or views of the National Society. \*While avoided, when possible, Fort Wayne ASHRAE reserves the right to substitute speakers without notice due to last minute schedule conflicts.

### **PRESIDENT**

Nick Moynahan

Mechanical Solutions Indiana

### **PRESIDENT-ELECT**

Jordan Backer

Design Collaborative

### **SECRETARY**

Brandon Horton

Victaulic

### **TREASURER**

Matthew Klok

Havel An EMCOR Company

### **BOARD OF GOVERNORS**

Paul Fernandez

Carl Huber

Connor Bartlett

### **CHAPTER CHAIRS**

Connor Bartlett RP

Nick Moynahan CTTC

Bocephus Thomas GAC

Brandon Horton SA

David Aurich Refrigeration

Jesse Sade Newsletter

Paul Fernandez MP/YEA

Carl Huber Historian

Isaac Landstoffer Webmaster